

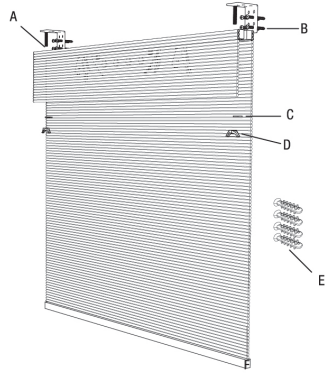
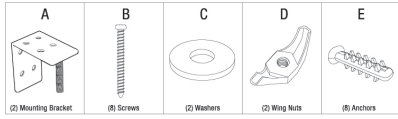
BAMBOO ROMAN SHADE INSTALLATION INSTRUCTIONS



RICARDO

For all widths and fits all lengths of windows.
(Up to size 72"L)

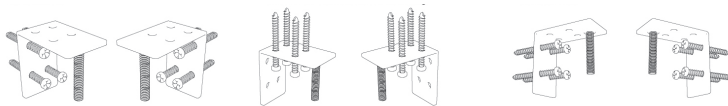
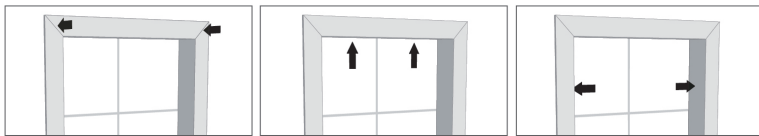
Hardware Contents:



Tools Required:

- Drill
- Pencil
- Step Ladder
- Tape Measure
- Small Level
- Light Weight Hammer
- Screwdriver

Step 1: Measure bracket placement/mounting location and mark with a pencil.



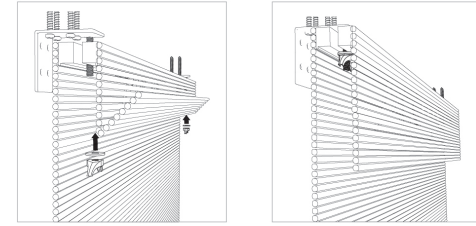
- A) Outside Mounting to the face or the outside of the window frame.
- B) Top Mounting overhead to a surface such as the top inside of the window frame or the ceiling.
- C) Inside Mounting to the inside or between the sides of the window frame.

Step 2: Install brackets (use anchors if mounting to drywall)



Step 3: Install Shades

Line the shade and mounting bracket up.
Connect washer and wing nut to the screw.



Line the shades with the mounting bracket, and have washers and wing nuts ready.

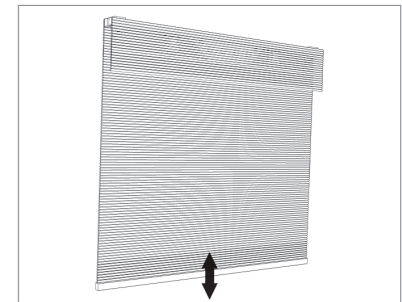
Secure the shades with the washers, and wing nuts to finish the installation.

Step 3 (Part 2): Connecting the headrail to the mounting bracket (A), to washers (C), and wing nuts (D).



Step 4: Operating Your Shade

To lower and raise your shade, pull shade from center of bottom rail.



Pull Shade (from center bottom rail to raise & lower)

Maintaining Your Shade:

Dust your shade with a clean cloth or feather duster.